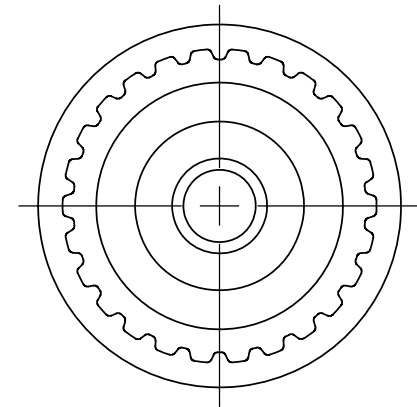
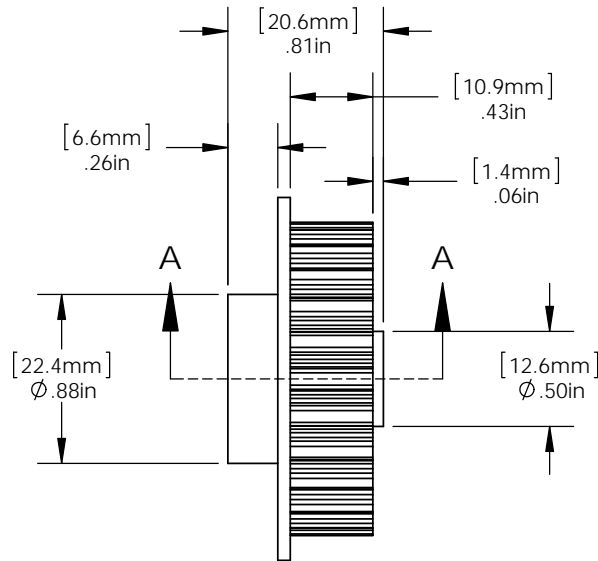
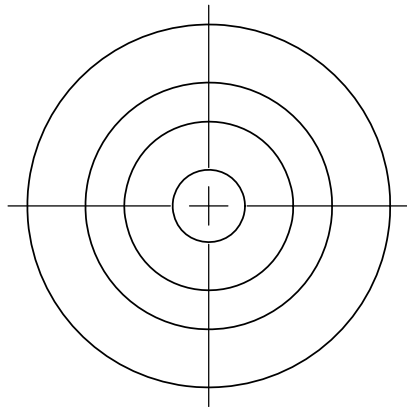
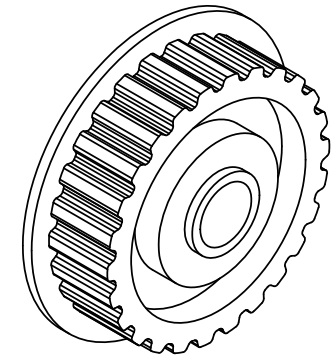
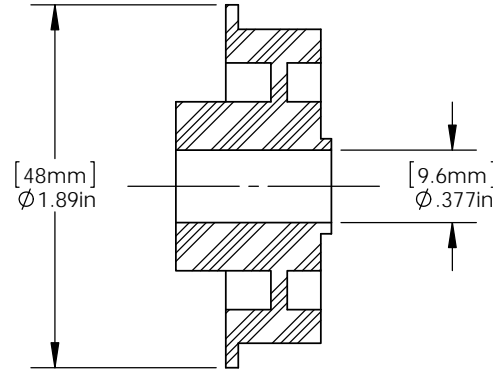


SECTION A-A



REV.	DESCRIPTION	DATE	<p>UNLESS OTHERWISE SPECIFIED:            DIMENSIONS ARE IN INCHES</p> <p>TOLERANCES:            FRACTIONAL ± .010            TWO PLACE DECIMAL ± .010            THREE PLACE DECIMAL ± .005            FOUR PLACE DECIMAL ± .0005            CONCENTRICITY .005 T.I.R. MAX</p> <p>BREAK SHARP EDGES .005-.010</p> <p>PROPRIETARY AND CONFIDENTIAL</p> <p><small>THE INFORMATION CONTAINED IN THIS DRAWING IS THE SOLE PROPERTY OF HELANDER PRODUCTS, INC. ANY REPRODUCTION IN PART OR AS A WHOLE WITHOUT THE WRITTEN PERMISSION OF HELANDER PRODUCTS, INC. IS STRICTLY PROHIBITED.</small></p>	<p>26XL037 Pulley</p>		<p><b>Tiny-Clutch</b></p>		
			<p>Helander Products, Inc.            Clinton, Connecticut  <a href="http://www.TinyClutch.com">www.TinyClutch.com</a></p>					
			<p>DRAWN BY: P3</p>	<p>SIZE <b>A</b></p>	<p>DWG. NO. <b>CL002</b></p>	<p>REV. -</p>		
			<p>MATERIAL: P.E.T.</p>	<p>SCALE: 1:1</p>	<p>DATE: 2/19/2021</p>	<p>SHEET 1 OF 1</p>		