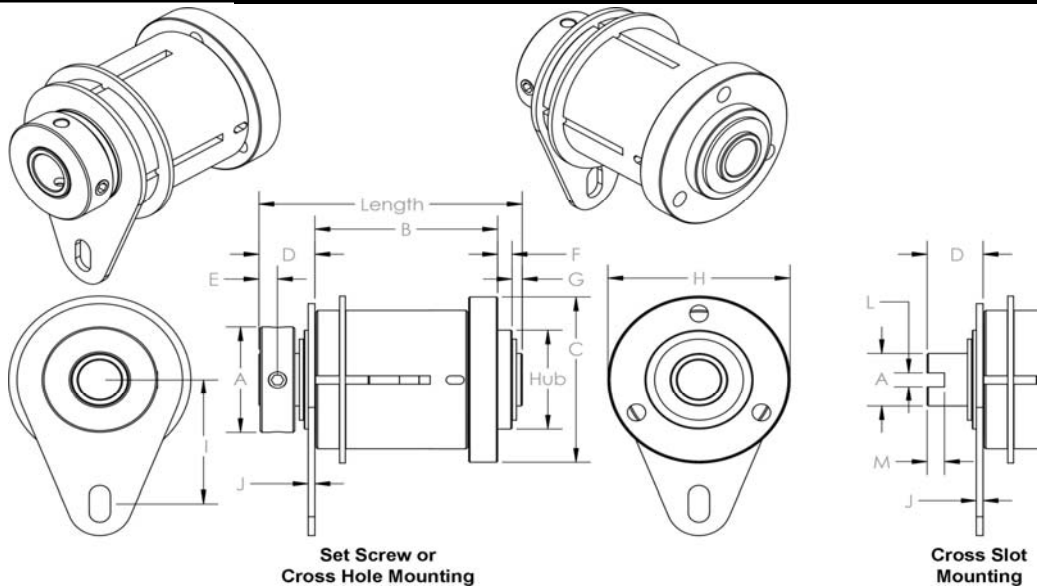


AD93



Tiny-Clutch AD93 AD-Series Autodisconnect Clutch

Specifications:		Options:	
Max Torque	60 in/lbs	Bore	5/16", 3/8", 8mm, 9mm, 10mm
Length	2.28 in	Mounting	Set Screw, CrossHole, Cross Slot,
Hub	0.94 in		Set Screw & Cross Hole
Dimension A	1.00 in *	Drive	Clockwise, Counter Clockwise
	0.50 in **	Input	Hub, Shaft
Dimension B	1.58 in	Hub Type	3-Hole Drum
Dimension C	1.56 in		
Dimension D	0.49 in		
Dimension E	0.16 in *		
Dimension F	0.12 in		
Dimension G	0.09in		
Dimension H	1.58 in		
Dimension I	1.17 in		
Dimension J	0.06 in		
Dimension L	0.133 in **		
Dimension M	0.15 in **		

* N/A For -CS ** For -CS Only

Tiny-Clutch | Helander Products, Inc.

www.TinyClutch.com

TinyClutch@HelanderProducts.com

860.669.7953