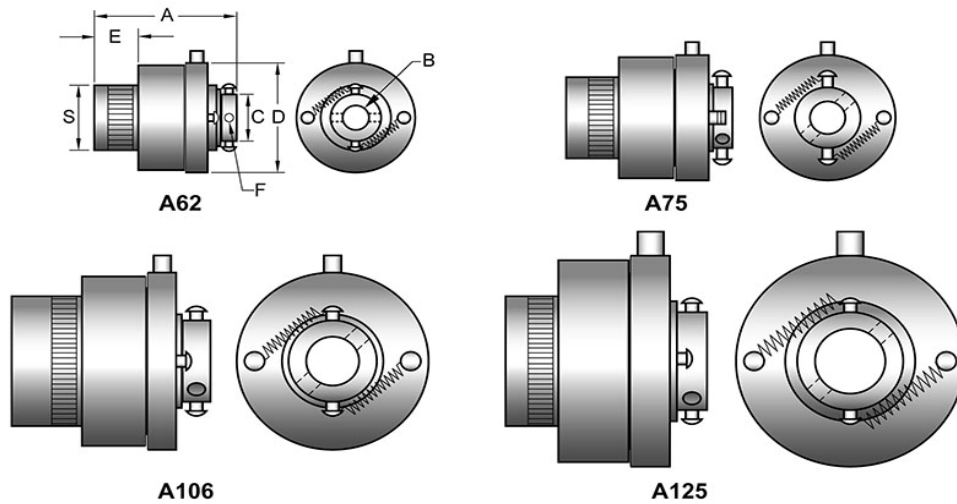


# A75



## Tiny-Clutch A75 A-Series Roller Clutch

Specifications:		Options:	
Max Torque	30 in/lbs	Bore	1/4", 5/16", 6mm, 7mm, 8mm
Max Speed	6000 rpm	Mounting	Cross Hole
Dimension A	1.19 in	Drive	Clockwise, Counter Clockwise
Dimension C	0.46 in	Input	Hub
Dimension D	0.96 in	# of Trip Lugs	1, 2, 3, 4, 5, 6 Lugs
Dimension E	0.37 in	Hub Type	Knurled Drum, Plain Drum
Dimension S	0.625 in		
	0.623 in		

Tiny-Clutch | Helander Products, Inc.