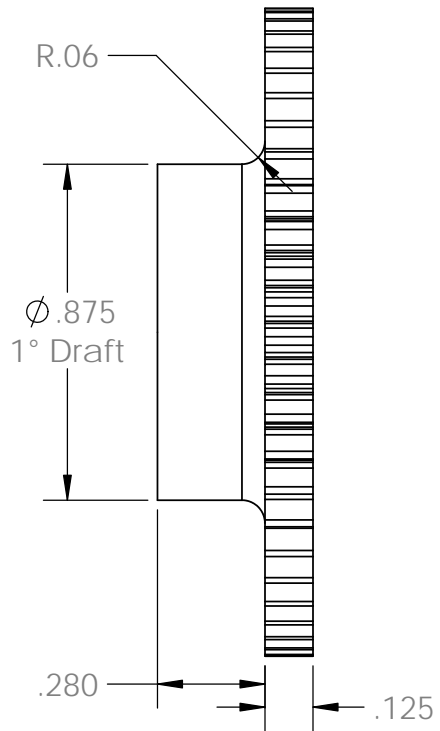
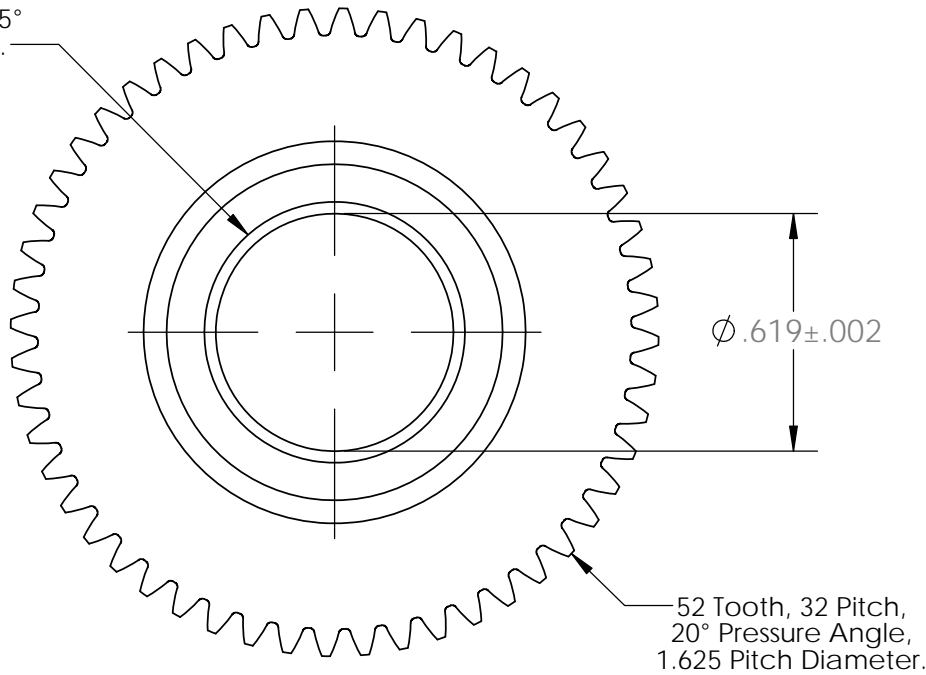


Chamfer .03x45°  
This Side Only.



Ref: NCR 189-1022407.

REV	DESCRIPTION	DATE	UNLESS OTHERWISE SPECIFIED:	52T, 20°PA Gear		<b>Tiny-Clutch</b> <b>Helander Products, Inc.</b> Clinton, Connecticut <a href="http://www.TinyClutch.com">www.TinyClutch.com</a> P = 860-669-7953   F = 860-669-6756	
			DIMENSIONS ARE IN INCHES TOLERANCES: FRACTIONAL $\pm .010$ TWO PLACE DECIMAL $\pm .010$ THREE PLACE DECIMAL $\pm .005$				
			PROPRIETARY AND CONFIDENTIAL THE INFORMATION CONTAINED IN THIS DRAWING IS THE SOLE PROPERTY OF HELANDER PRODUCTS, INC. ANY REPRODUCTION IN PART OR AS A WHOLE WITHOUT THE WRITTEN PERMISSION OF HELANDER PRODUCTS, INC. IS PROHIBITED.	DRAWN BY: P3		SIZE <b>A</b>	DWG. NO. <b>1407</b>
				MATERIAL: Delrin 500 (Natural)	SCALE: 2:1	DATE: 9/28/2012	REV
							SHEET 1 OF 1