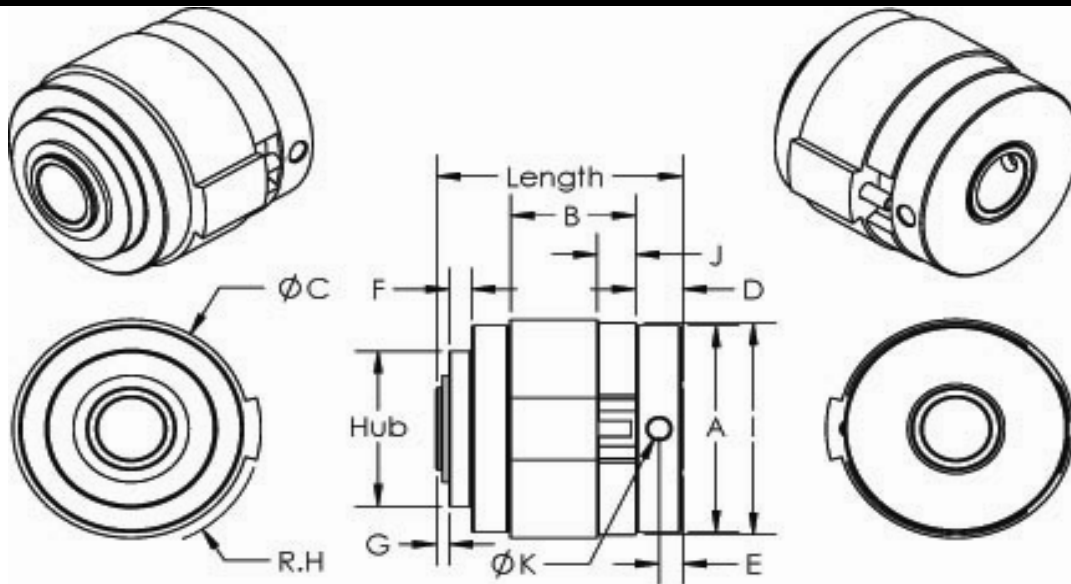


2579



Tiny-Clutch 2579 SP-Series Wrap Spring Clutch

Specifications:

Options:

Max Torque	50 in/lbs	Bore	3/8"
Length	1.32 in	Mounting	Cross Hole
Hub	0.937 in	Drive	Counter Clockwise
Dimension A	1.25 in	Input	Hub
Dimension B	0.70 in	Function	Indexing
Dimension C	1.32 in	# of Trip Lugs	1 Lug (Single Revolution)
Dimension D	0.26 in	Hub Type	Plain Drum
Dimension E	0.13 in	Add-Ons	Over-Travel Stop
Dimension F	0.12 in		
Dimension G	0.07 in		
Dimension H	0.72 in		
Dimension I	1.28 in		
Dimension J	0.21 in		
Dimension K	0.125 in		

Tiny-Clutch | Helander Products, Inc.

www.TinyClutch.com

TinyClutch@HelanderProducts.com

860.669.7953