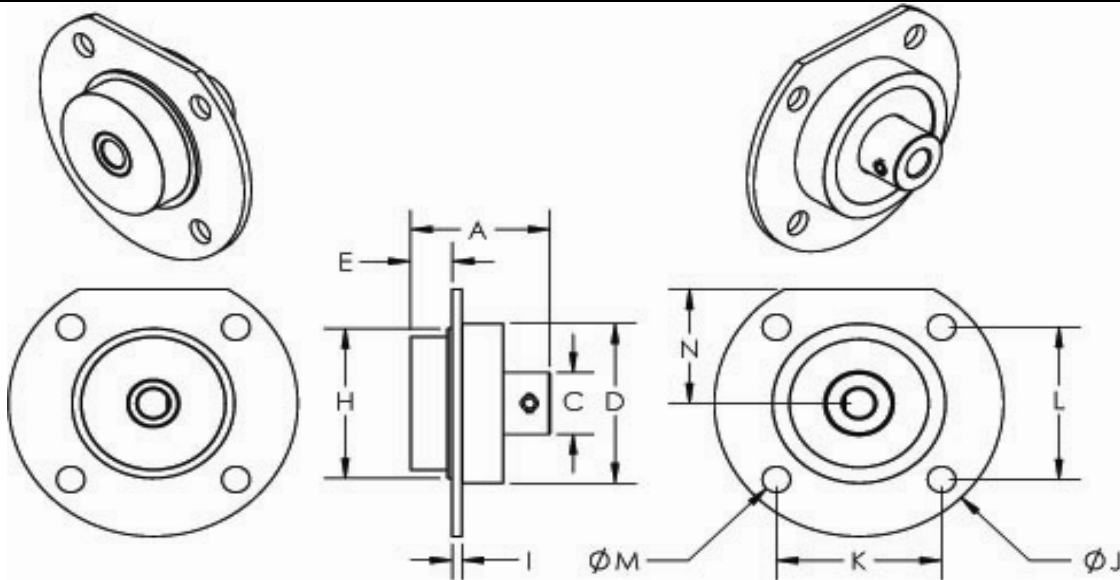


1692



Tiny-Clutch 1692 D-Series Roller Clutch Pellerin Milnor #54M105

Specifications:

Options:

Specifications:		Options:	
Max Torque	10 in/lbs	Bore	3/16"
Max Speed	6000 rpm	Mounting	Set Screw
Dimension A	0.85 in	Drive	Counter Clockwise
Dimension C	0.41 in	Add-Ons	Heavy Duty Springs
Dimension D	1.05 in		
Dimension E	0.25 in		
Dimension H	0.99 in		
Dimension I	0.06 in		
Dimension J	1.75 in		
Dimension K	1.00 in		
Dimension L	1.00 in		
Dimension M	0.17 in		
Dimension N	0.75 in		

Tiny-Clutch | Helander Products, Inc.

www.TinyClutch.com

TinyClutch@HelanderProducts.com

860.669.7953